

# FL Series Boiling And Granulating Drier

## FEATURES

- ⊙ Through powder granulating ,the fluidity is improved and the dust is reduced.
- ⊙ Solubility is improved by powder granulating.
- ⊙ The mixing ,granulating and drying can be finished in same equipment.
- ⊙ Operation is safe, operator can not be damaged if explosion happens for releading holes are equipped.
- ⊙ Equipment has not dead corner,the loading and unloading are quick and light,easy clean. It can satisfy GMP requirement.

## APPLICATIONS

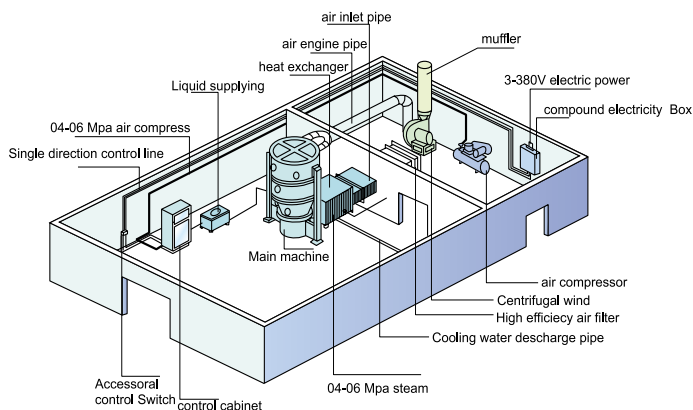
- ⊙ Foodstuff: cocoa, coffee, milk powder, juice of granule, flavoring and so on.
- ⊙ Pharmaceutical industry :granular tablet, granule taken with water, granular capsule.
- ⊙ Other industries: pesticide, feed, fertilizer, pigment, dyestuff and so on.
- ⊙ Drying: for powder or granule damp material.
- ⊙ Coating: granule, pill protection layer, pigmentation, controlled release, film, or bowels solved coating.



## PRINCIPLE

The powder in vessel (fluid bed) appears the state of fluidization. It is pre-heated and mixed with cleaned and heated air. At the same time ,bond is sprayed into the container. It makes some particles become granule which contains adhesive. Being of unceasing dry through hot air, the moisture in the granule is evaporated and the adhesive is solidification. The process is carried out continuously. Finally,ideal, uniform granules are formed.

## EQUIPMENT STANDARDS STATION AND FACTORY PLANT DISPOSE

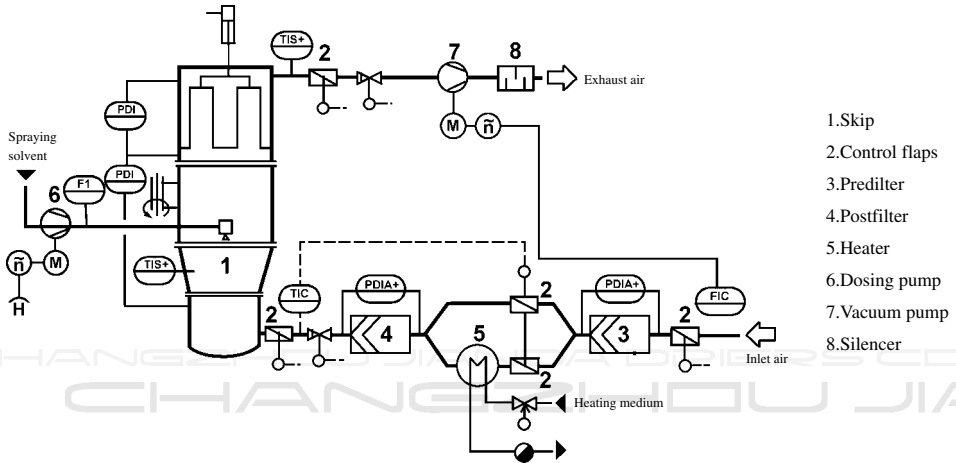


# FL Series Boiling And Granulating Drier

## GRANULATING GRAFWORK PROCESS



## FLOW CHART



1. Skip
2. Control flaps
3. Prefilter
4. Postfilter
5. Heater
6. Dosing pump
7. Vacuum pump
8. Silencer

## TECHNICAL PARAMETERS

item		unit	spec								
			3	5	15	30	60	120	200	300	500
vessel	volume	L	12	22	45	100	220	420	670	1000	1500
	diameter	mm	300	400	550	700	1000	1200	1400	1600	1800
container	min	kg	1.5	4	10	15	30	80	100	150	250
	max	kg	4.5	6	20	45	90	160	300	450	750
fan	air volumn	m <sup>3</sup> /h	1000	1200	1400	1800	3000	4500	6000	7000	8000
	pressure	mmH <sub>2</sub> O	375	375	480	480	950	950	950	950	950
	power	kw	3	4	5.5	7.5	11	18.5	22	30	45
steam consumption		kg/h	15	23	42	70	141	211	282	366	451
compressed air expenditure		m <sup>3</sup> /min	0.6	0.6	0.6	0.9	0.9	0.9	1.1	1.5	1.5
weight of the main body		kg	250	300	700	900	1100	1300	1500	1800	2000
steam pressure		Mpa	0.1~0.4								
temperature		°C	adjustable at the range of room temperature to 120								
working time		min	45~90 (decided in accordance with the properties of raw materials)								
collect rate		%	≥ 99								
noise		dB(A)	≤ 75dB(A) (when do installation, main machine is separated from fan.)								
overall dimensions (LxWxH)		m	1.0x0.55 x1.8	1.2x0.6 x2.1	1.25x0.75 x2.1	1.6x0.9 x2.3	1.85x1.25 x3	2.2x1.65 x3.3	2.34x1.7 x3.8	2.8x1.9 x3.8	3x2.25 x4.2